

Altitude Chamber

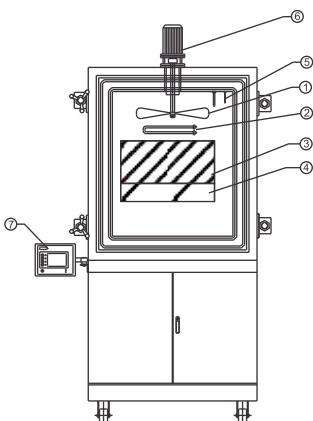
The ALTIPLUS altitude test chambers are specially designed for the testing of aerospace products which are exposed to high altitude conditions. These simulators operate in a wide range of temperature and altitude of up to 50km above sea level



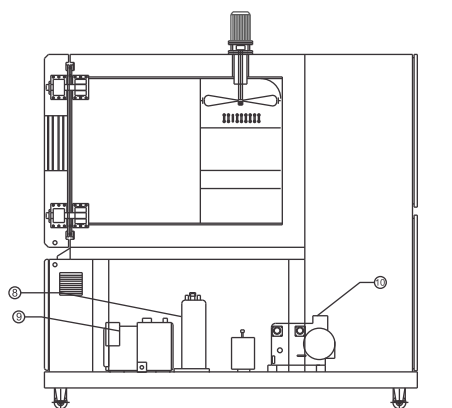
ALTIPLUS

Altitude Chambers

| Parameters | Altitude Chamber | | |
|-------------------------------------|--------------------|--------------------|--------------------|
| | Altiplus 540-B5 | Altiplus 540-B5 | Altiplus 540-B5 |
| Work Space Volume (L) (mm) | 540 | 1000 | 1500 |
| Work Space (W x D x H) (mm) | 750 x 800 x 900 | 1000 x 1000 x 1000 | 1000 x 1500 x 1000 |
| Exterior Dimension (W x D x H) (mm) | 1500 x 2350 x 2650 | 1750 x 2650 x 2600 | 1750 x 3150 x 2600 |
| Temperature Range (°C) | -70 to 180 | | |
| Ramp Rate (°C/Min) | 5 | | |
| Altitude Range (mbar) | Ambient to 10 | | |
| Type of Controller | enviCOM Controller | | |



FRONT VIEW



SIDE VIEW

| SL No | Descriptions |
|-------|------------------------|
| 1 | Fan blade |
| 2 | Air heater |
| 3 | Evaporator coil |
| 4 | De-humidification coil |
| 5 | Sensor |
| 6 | Fan motor |
| 7 | Controller |
| 8 | Oil separator |
| 9 | Compressor |
| 10 | Vacuum pump |

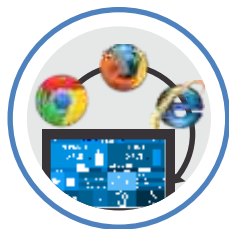
Altitude chambers are mostly used in the aerospace & defense industry for different range of testing. The chambers are designed as per the test requirement and are built with all the standard features like other chambers. Some of the features are as follows:



Test Space



enviCom Controller



Remote Monitoring



Inbuilt Features
(Large Specimen Window, Multiple Port Holes and many more)



| Altitude Integrated with Vibration | |
|------------------------------------|----------------------------------|
| Movement | Motorised movement of test space |
| Temperature Range | - 70°C to +180°C |
| Humidity Range | 10% to 95% RH |

| Rapid Decompression Vacuum Chamber | |
|------------------------------------|-------------------|
| Test Standard Compliance | MIL – 810 - F |
| Temperature Range | - 70°C to +180°C |
| Humidity Range | 10% to 95% RH |
| Rapid Decompression | 1 Torr in < 1 min |